

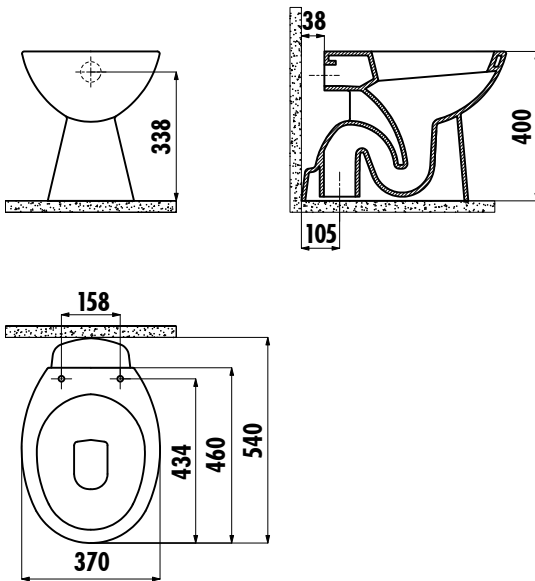
S-TRAP PAN

TP340-00CB00E-0000



TP340-00CB00E-0000	Open Rim S-Trap Pan Combined Bidet
TP340-11CB00E-0000	Open Rim S-Trap Pan
KC0702.01.0000E	Çınar Duroplast Metal Hinge White Seat & Cover
Qty of Pallet:	Pan 21
Qty of Box:	Seat & Cover 10
Weight:	Pan 17,84 kg Seat & Cover 2,85 kg

TECHNICAL DRAWING



SPECIFICATIONS

Creavit keeps its rights of making any change to the products.



Quality Management Systems



Customer Satisfaction Certificate



Certificate Environmental Management System



Occupational Safety & Health Management System

LGA

Germany Accreditation Certificate

kiwa

Netherlands Accreditation Certificate

GOST - R

Russia Accreditation Certificate

UkrSEPRO

Ukraine Accreditation Certificate



Israel Accreditation Certificate



Nigeria Accreditation Certificate



European Accreditation Certificate



Turkish Accreditation Certificate