



## AMASRA SEAT&COVER

KC0103.03.0000E

KC0102.03.0000E

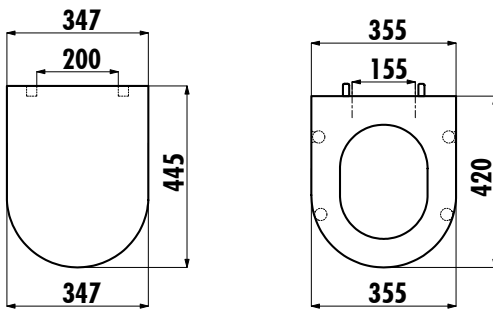
KC0101.01.0000E

KC0103.03.0000E	Amasra Ultima Duroplast Soft Closing White Seat&Cover
KC0102.03.0000E	Amasra Ultima Duroplast Metal Hinge White Seat&Cover
KC0101.01.0000E	Amasra Duroplast Plastic Hinge White Seat&Cover

Qty of Box: Seat&amp;Cover 10

Weight: Seat&amp;Cover 2,05 kg

### TECHNICAL DRAWING



### SPECIFICATIONS



Creavit keeps its rights of making any change to the products.



Quality Management Systems



Customer Satisfaction Certificate



Environmental Management System



Occupational Safety & Health Management System

LGA

Germany Accreditation Certificate

kiwa

Netherlands Accreditation Certificate

GOST - R

Russia Accreditation Certificate

UkrSEPRO

Ukraine Accreditation Certificate



Israel Accreditation Certificate



Nigeria Accreditation Certificate



European Accreditation Certificate



Turkish Accreditation Certificate