



FREE RIM OFF

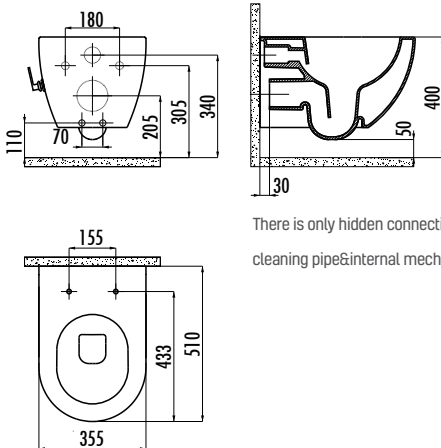
FE322

Wall Hung Pan Combined Bidet

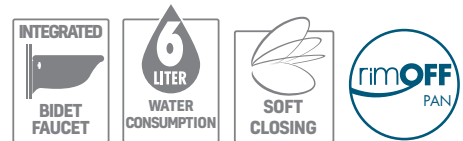
FE322-00CB00E-0000	Free Rim-Off Wall Hung Pan Combined Bidet
FE322-11CB00E-0000	Free Rim-Off Wall Hung Pan
KC0903.02.0000E	Duck Duroplast Soft Closing White Seat&Cover

Qty of Pallet:	Pan 24
Qty of Box:	Seat&Cover 10
Weight:	Pan 26,83 kg Seat&Cover 2,55 kg

TECHNICAL DRAWING



SPECIFICATIONS



Creavit keeps its rights of making any change to the products.



Quality Management Systems



Customer Satisfaction Certificate



Environmental Management System



Occupational Safety & Health Management System

LGA

Germany Accreditation Certificate

kiwa

Netherlands Accreditation Certificate

GOST - R

Russia Accreditation Certificate

UkrSEPRO

Ukraine Accreditation Certificate



Israel Accreditation Certificate



Nigeria Accreditation Certificate



European Accreditation Certificate



Turkish Accreditation Certificate