



SORTI SEAT&COVER

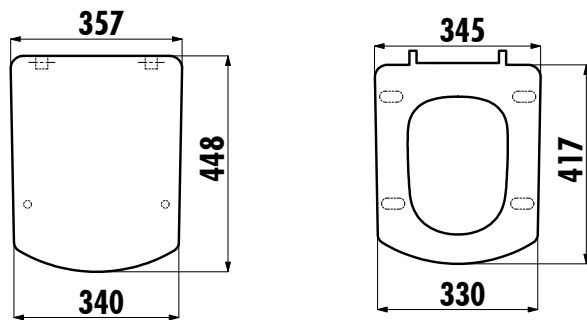
KC2103.01.0000E

KC2102.01.0000E

KC2102.02.0000E

KC2103.01.0000E	Sorti Duroplast Soft Closing White Seat&Cover
KC2102.01.0000E	Sorti Duroplast Metal Hinge White Seat&Cover
KC2102.02.0000E	Sorti Duroplast Metal Hinge White Seat&Cover
Qty of Box:	Seat&Cover 10
Weight:	Seat&Cover 2,55-2,35 kg

TECHNICAL DRAWING



SPECIFICATIONS



Creavit keeps its rights of making any change to the products.



Quality Management Systems



Customer Satisfaction Certificate



Certificate Environmental Management System



Occupational Safety & Health Management System

LGA

Germany Accreditation Certificate

kiwa

Netherlands Accreditation Certificate

GOST - R

Russia Accreditation Certificate

UkrSEPRO

Ukraine Accreditation Certificate



Israel Accreditation Certificate



Nigeria Accreditation Certificate



European Accreditation Certificate



Turkish Accreditation Certificate