

creavit®



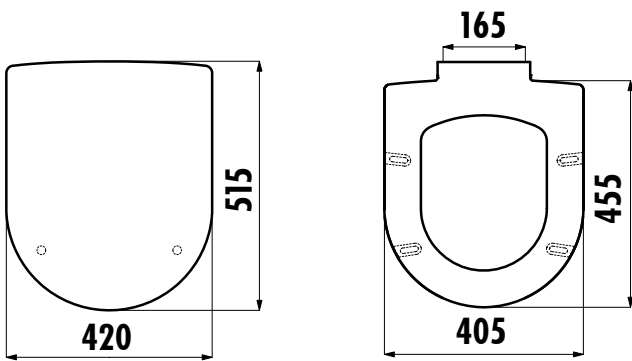
GRANDE KC1403.01.0000E

Seat&Cover

| | |
|-----------------|--|
| KC1403.01.0000E | Grande Duroplast Soft Closing Seat&Cover |
|-----------------|--|

| | |
|------------|------|
| Qty of Box | 4 |
| Weight | 3,33 |

TECHNICAL DRAWING



SPECIFICATIONS



Creavit keeps its rights of making any change to the products.



Quality Management Systems



Customer Satisfaction Certificate



Environmental Management System



Occupational Safety & Health Management System

LGA

Germany Accreditation Certificate

kiwa

Netherlands Accreditation Certificate

GOST - R

Russia Accreditation Certificate

UkrSEPRO

Ukraine Accreditation Certificate



Israel Accreditation Certificate



Nigeria Accreditation Certificate



European Accreditation Certificate



Turkish Accreditation Certificate